

Minimum clearance requirements to combustible with a Fisher heat shield & 1200mm s/s single skin flue screen.

A	B	C	D	E	F	G	H	J	K	L	M	N
200	350	300	108	150	360	643	451	802	1043	1321	1068	683

Unit Measurements (mm)

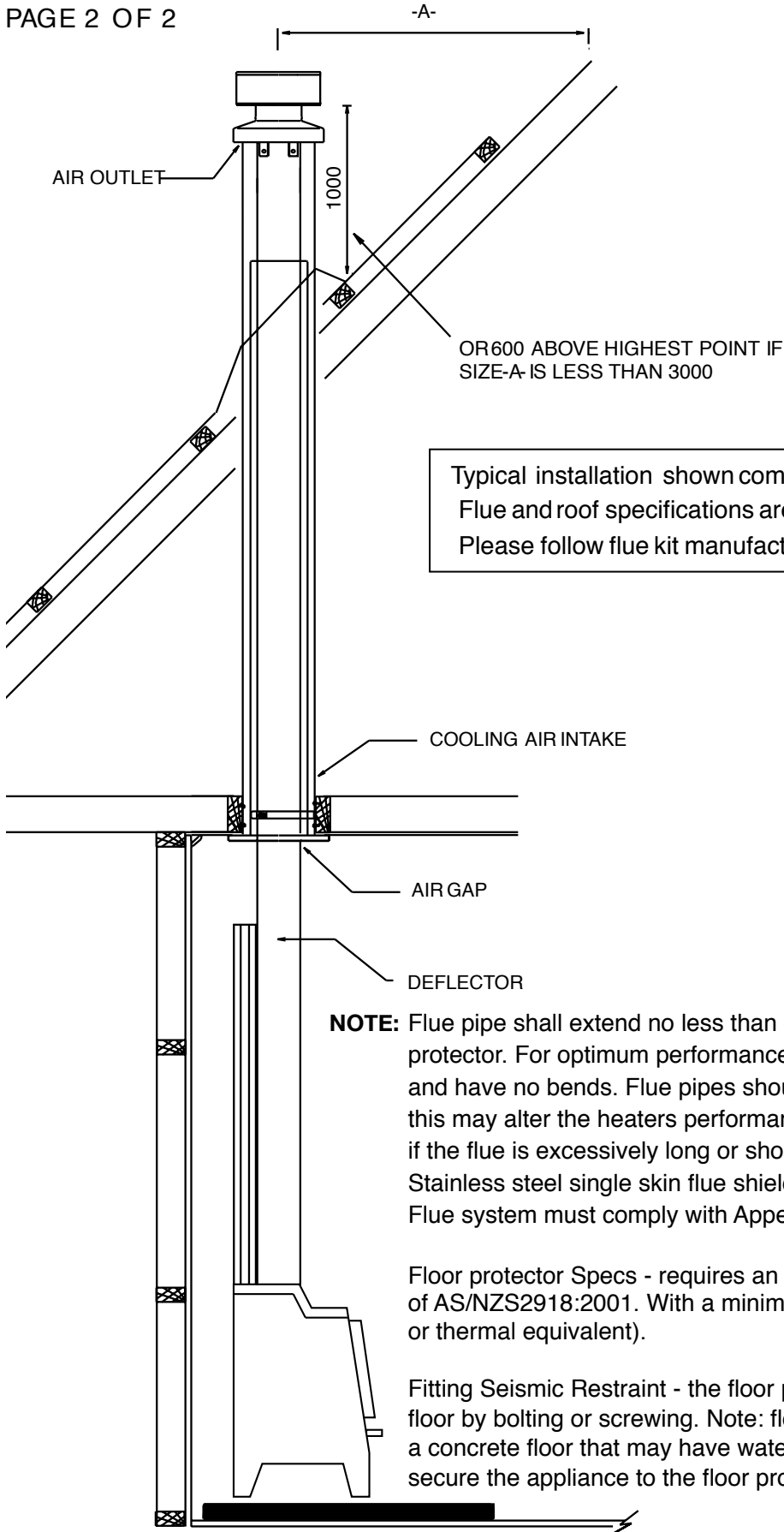
(TOP) I	(BASE) I	O	P	Q	R
586	563	N/A	N/A	762	543

Approximate Heating Area	Max Log Length	Water Heating Option	Floor Protector	Emissions	Efficiency
200m ²	460	No	Insulated	1.27g/kg	71.8%

IF INSTALLED IN ACCORDANCE WITH THESE SPECIFICATIONS THE HEATER COMPLIES WITH AS/NZS 2918:2001 including Appendix F. The minimum clearance to combustible may be reduced if the combustible walls are shielded with an approved non-combustible material. Details of suitable shielding materials and appropriate clearance reduction factors are present in Section 3 of AS/NZS 2918:2001

Clean Air Authorisation #N0022

RETAIL LINKS LTD RESERVE THE RIGHT TO CHANGE SPECIFICATIONS OR DESIGNS WITHOUT PRIOR NOTICE.



Typical installation shown complies with AS/NZS 2918:2001
Flue and roof specifications are recommendations only.
Please follow flue kit manufacturers installation instructions.

NOTE: Flue pipe shall extend no less than 4600mm above the top of the floor protector. For optimum performance the flue system should be vertical and have no bends. Flue pipes should be Ø150mm (Ø6"). Deviation from this may alter the heaters performance and may nullify the Fisher warranty if the flue is excessively long or short, if in doubt contact your Fisher supplier. Stainless steel single skin flue shield tested on this unit. Flue system must comply with Appendix F of AS/NZS 2918:2001.

Floor protector Specs - requires an insulated floor protector to the requirements of AS/NZS2918:2001. With a minimum thickness of 6mm (eg. Hardiflex 6mm or thermal equivalent).

Fitting Seismic Restraint - the floor protector must be mechanically fixed to the floor by bolting or screwing. Note: floor protector to be fixed by gluing when on a concrete floor that may have water pipes or electrical wires present. Drill to secure the appliance to the floor protector using two 6mm x 50mm dynabolts.

IF INSTALLED IN ACCORDANCE WITH THESE SPECIFICATIONS THE HEATER COMPLIES WITH AS/NZS 2918:2001 including Appendix F

RETAIL LINKS LTD RESERVE THE RIGHT TO CHANGE SPECIFICATIONS OR DESIGNS WITHOUT PRIOR NOTICE.